

产品说明 General Data

耐压Dielectric withstand voltage: AC 1500V (50/60Hz) one minute
 安全保护Protection: Impedance protection or thermal protection
 工作温度Operating Temperature: Ball bearing: -20°C~+105°C
 Sleeve bearing: -10°C~+105°C

使用寿命Life Expectancy: Ball bearing: over 50000 hr. (At 40°C)
 Sleeve bearing: over 20000 hr. (At 40°C)

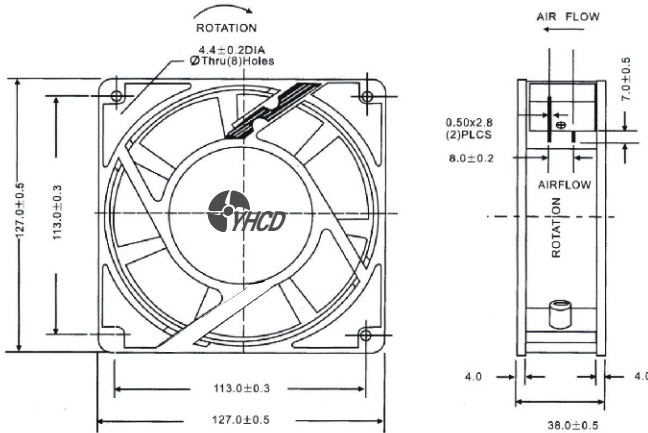
安规认证Safety: UL>CUL>TUV>CE>CCC

重量Weight: 650g

尺寸图Outline



风量Airflow: 160 ~ 227m³/hr 94~134CFM



材料 Material

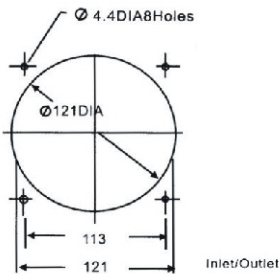
外框 Frame: Aluminum alloy

风叶 Impeller: Iron leaf

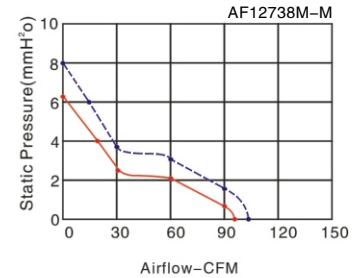
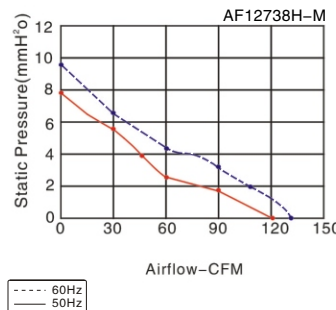
马达 Motor: Shaded pole external rotor induction motor

连接方式Connection: Lead wire or terminal type

开孔尺寸 Panel Cut-outs



曲线图 Characteristic Curves



技术参数 Specifications

Model (型号)	Bearing system (轴承型式)	Voltage VAC (电压)	Freq. Hz (频率)	Current A (电流)	Power W (功率)	Speed RPM (转速)	Noise dBA (噪音)	Air Flow(风量)		Phase (相数)	Capacitor (电容)
								M3/hr	CFM		
AF12738HA,S-M	Sleeve	100-120	50/60	0.28	27	2600/3000	50/55	204/227	120/134	1	/
AF12738HA,S-M		200-240	50/60	0.16	25	2600/3000	50/55	204/227	120/134	1	/
AF12738HA,B-M	Ball	100-120	50/60	0.28	27	2600/3000	50/55	204/227	120/134	1	/
AF12738HA,B-M		200-240	50/60	0.16	25	2600/3000	50/55	204/227	120/134	1	/
AF12738MA,S-M	Sleeve	100-120	50/60	0.26	25	2000/3000	41/45	160/178	94/105	1	/
AF12738MA,S-M		200-240	50/60	0.15	23	2000/3000	41/45	160/178	94/105	1	/
AF12738MA,B-M	Ball	100-120	50/60	0.26	25	2000/3000	41/45	160/178	94/105	1	/
AF12738MA,B-M		200-240	50/60	0.15	23	2000/3000	41/45	160/178	94/105	1	/