

产品说明 General Data

耐压Dielectric withstand voltage: AC 1500V (50/60Hz) one minute
 安全保护Protection: Impedance protection or thermal protection
 工作温度Operating Temperature: Ball bearing: -20°C~+105°C
 Sleeve bearing: -10°C~+105°C

使用寿命Life Expectancy: Ball bearing: over 50000 hr. (At 40°C)
 Sleeve bearing: over 20000 hr. (At 40°C)

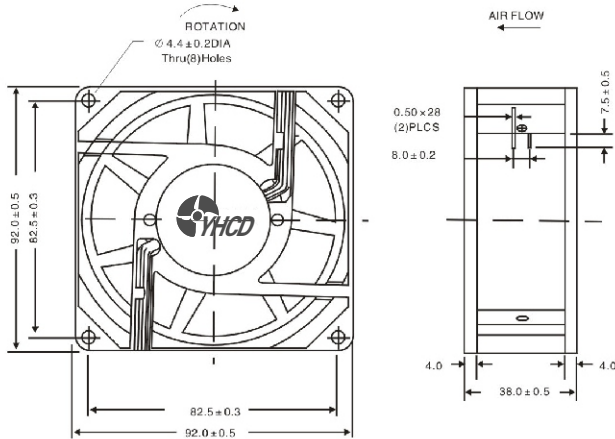
安规认证Safety: UL>CUL>TUV>CE>CCC

重量Weight: 470g

尺寸图 Outline



风量Airflow: 71 ~ 91 m³/hr 42~54 CFM



材料 Material

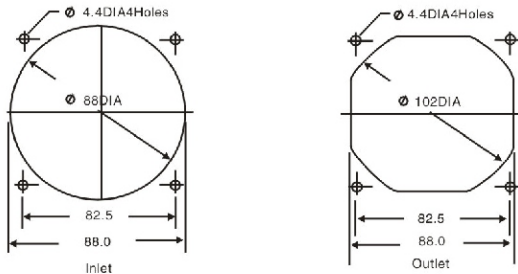
外框 Frame: Aluminum alloy

风叶 Impeller: Iron leaf

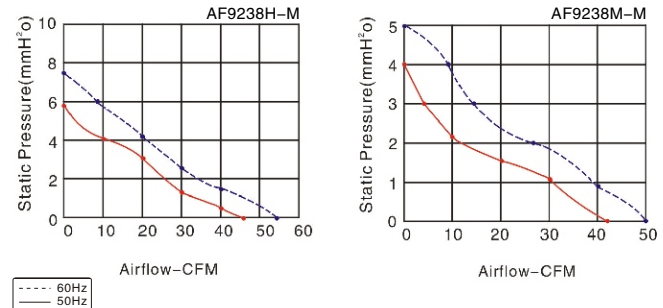
马达 Motor: Shaded pole external rotor induction motor

连接方式 Connection: Lead wire or terminal type

开孔尺寸 Panel Cut-outs



曲线图 Characteristic Curves



技术参数 Specifications

Model (型号)	Bearing system (轴承型式)	Voltage VAC (电压)	Freq. Hz (频率)	Current A (电流)	Power W (功率)	Speed RPM (转速)	Noise dBA (噪音)	Air Flow(风量)		Phase (相数)	Capacitor (电容)
								M3/hr	CFM		
AF9238HA ₁ S-M	Sleeve	100-120	50/60	0.24	16	2600/3000	38/43	78/91	46/54	1	/
AF9238HA ₂ S-M		200-240	50/60	0.12	16	2600/3000	38/43	78/91	46/54	1	/
AF9238HA ₁ B-M	Ball	100-120	50/60	0.24	16	2600/3000	38/43	78/91	46/54	1	/
AF9238HA ₂ B-M		200-240	50/60	0.12	16	2600/3000	38/43	78/91	46/54	1	/
AF9238MA ₁ S-M	Sleeve	100-120	50/60	0.22	14	2300/2700	35/40	71/85	42/50	1	/
AF9238MA ₂ S-M		200-240	50/60	0.10	14	2300/2700	35/40	71/85	42/50	1	/
AF9238MA ₁ B-M	Ball	100-120	50/60	0.22	14	2300/2700	35/40	71/85	42/50	1	/
AF9238MA ₂ B-M		200-240	50/60	0.10	14	2300/2700	35/40	71/85	42/50	1	/