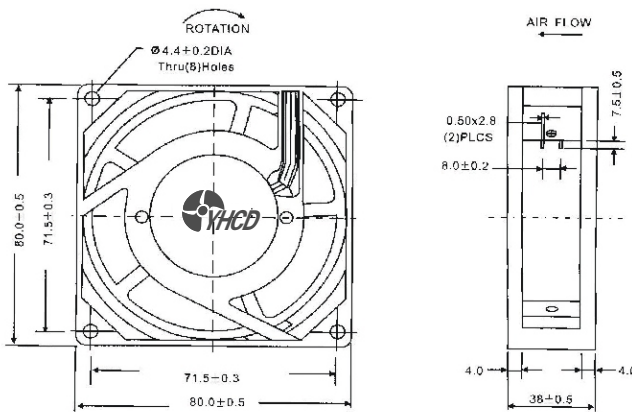
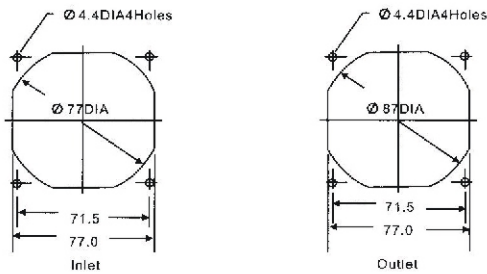
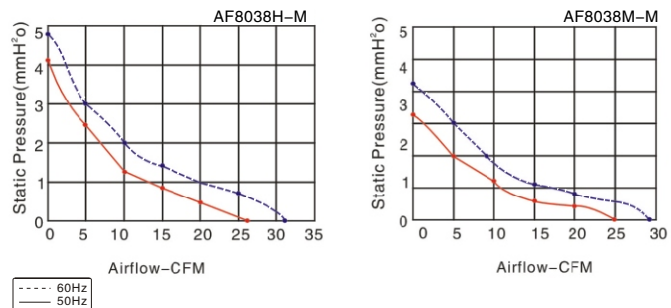


**产品说明 General Data**

耐压Dielectric withstand voltage: AC 1500V (50/60Hz) one minute  
 安全保护Protection: Impedance protection or thermal protection  
 工作温度Operating Temperature: Ball bearing:  $-20^{\circ}\text{C}\sim+105^{\circ}\text{C}$   
 Sleeve bearing:  $-10^{\circ}\text{C}\sim+105^{\circ}\text{C}$   
 使用寿命Life Expectancy: Ball bearing: over 50000 hr. (At  $40^{\circ}\text{C}$ )  
 Sleeve bearing: over 20000 hr. (At  $40^{\circ}\text{C}$ )  
 认证Safety: UL>CUL>TUV>CE>CCC  
 重量Weight: 420g


 风量Airflow: 42 ~ 54m<sup>3</sup>/hr 25~32CFM

**材料 Material**

外框 Frame: Aluminum alloy  
 风叶 Impeller: Iron leaf  
 马达 Motor: Shaded pole external rotor induction motor  
 连接方式 Connection: Lead wire or terminal type

**开孔尺寸 Panel Cut-outs**

**曲线图 Characteristic Curves**

**技术参数 Specifications**

| Model<br>(型号)             | Bearing<br>system<br>(轴承型式) | Voltage<br>VAC<br>(电压) | Freq.<br>Hz<br>(频率) | Current<br>A<br>(电流) | Power<br>W<br>(功率) | Speed<br>RPM<br>(转速) | Noise<br>dBA<br>(噪音) | Air Flow(风量) |       | Phase<br>(相数) | Capacitor<br>(电容) |
|---------------------------|-----------------------------|------------------------|---------------------|----------------------|--------------------|----------------------|----------------------|--------------|-------|---------------|-------------------|
|                           |                             |                        |                     |                      |                    |                      |                      | M3/hr        | CFM   |               |                   |
| AF8038HA,S-M              | Sleeve                      | 100-120                | 50/60               | 0.13                 | 11                 | 2600/3000            | 31/37                | 44/45        | 26/32 | 1             | /                 |
| AF8038HA <sub>2</sub> S-M |                             | 200-240                | 50/60               | 0.08                 | 13                 | 2600/3000            | 31/37                | 44/45        | 26/32 | 1             | /                 |
| AF8038HA,B-M              | Ball                        | 100-120                | 50/60               | 0.13                 | 11                 | 2600/3000            | 31/37                | 44/45        | 26/32 | 1             | /                 |
| AF8038HA <sub>2</sub> B-M |                             | 200-240                | 50/60               | 0.08                 | 13                 | 2600/3000            | 31/37                | 44/45        | 26/32 | 1             | /                 |
| AF8038MA,S-M              | Sleeve                      | 100-120                | 50/60               | 0.12                 | 10                 | 2300/2700            | 30/35                | 42/49        | 25/29 | 1             | /                 |
| AF8038MA <sub>2</sub> S-M |                             | 200-240                | 50/60               | 0.07                 | 12                 | 2300/2700            | 30/35                | 42/49        | 25/29 | 1             | /                 |
| AF8038MA,B-M              | Ball                        | 100-120                | 50/60               | 0.12                 | 10                 | 2300/2700            | 30/35                | 42/49        | 25/29 | 1             | /                 |
| AF8038MA <sub>2</sub> B-M |                             | 200-240                | 50/60               | 0.07                 | 12                 | 2300/2700            | 30/35                | 42/49        | 25/29 | 1             | /                 |