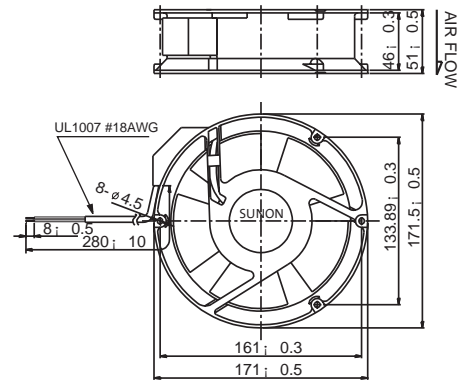
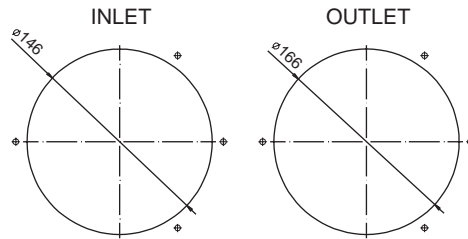




Bearing Type :Ball bearing

Air Flow:203-239CFM



AC Series

Model	P/N	Bearing ● SLEEVE ○ BALL	Rating Voltage (VAC)	Freq. (Hz)	Power Current (AMP)	Power Consumption (WATTS)	Speed (RPM)	Air Flow (CFM)	Static Pressure (Inch-HzO)	Noise (dBA)	Weight (g)
A1175-HBL	TC.R	○	115	50/60	0.22/0.23	25/27	2800/3200	203/239	0.62/0.69	51/58	908
A1175-HBT	TC.R	○	115	50/60	0.22/0.23	25/27	2800/3200	203/239	0.62/0.69	51/58	908
A2175-HBL	TC.R	○	230	50/60	0.11/0.11	25/26	2800/3200	203/239	0.62/0.69	51/58	908
A2175-HBT	TC.R	○	230	50/60	0.11/0.11	25/26	2800/3200	203/239	0.62/0.69	51/58	908
A3175-HBL	TC.R	○	380	50/60	0.06/0.06	20/20	2800/3200	203/239	0.62/0.69	51/58	908
A3175-HBT	TC.R	○	380	50/60	0.06/0.06	20/20	2800/3200	203/239	0.62/0.69	51/58	908

Frame : Aluminum alloy

Specifications subject to change without notice

