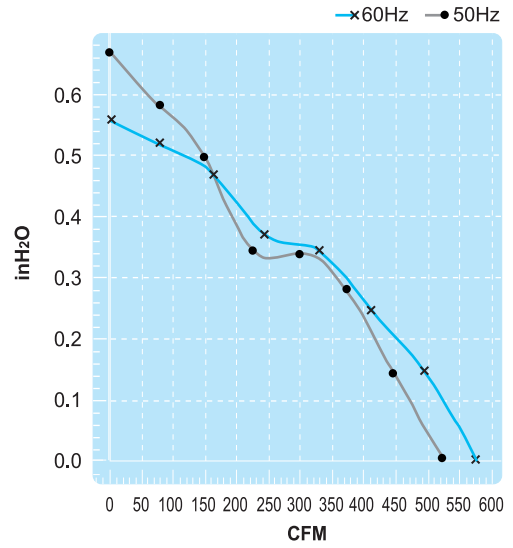


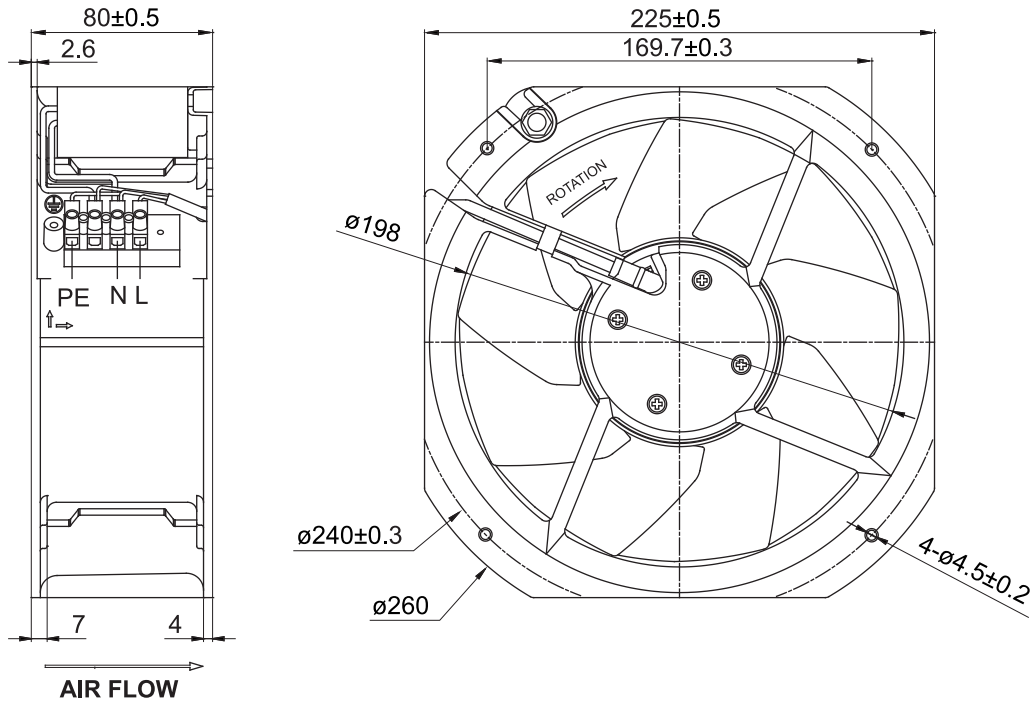
UF200BMB Series



(Axial Fan)



Thermal Protection



Spec.	Rated Voltage	Frequency	Input Power	Rated Current	Locked Current	Speed	Maximum Air Flow	Maximum Air Flow	Maximum Pressure	Maximum Pressure	Capacitor	Noise	Weight
Model	V	Hz	W	A	A	RPM	m ³ /min.	CFM	mmH ₂ O	InchH ₂ O	μF/VDB	dB	kg
UF200BMB11H1C2A	115V	50	65	0.58	0.99	2550	15	530	17	0.67	5/250	59	2.1
		60	72	0.70	0.99	2800	17	600	14	0.55		61	
UF200BMB23H1C2A	230V	50	74	0.29	0.50	2550	15	530	17	0.67	1.5/450	59	2.1
		60	80	0.35	0.50	2800	17	600	14	0.55		61	