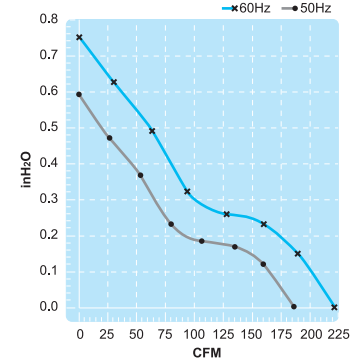
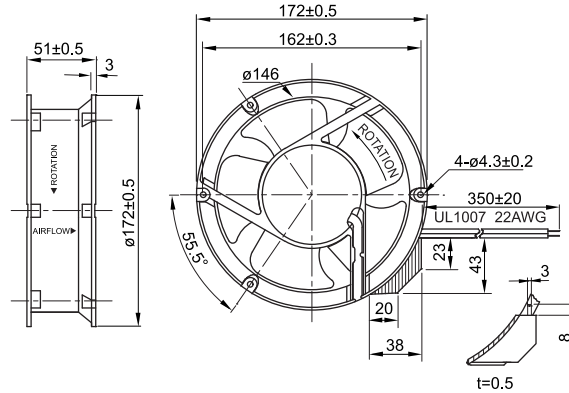
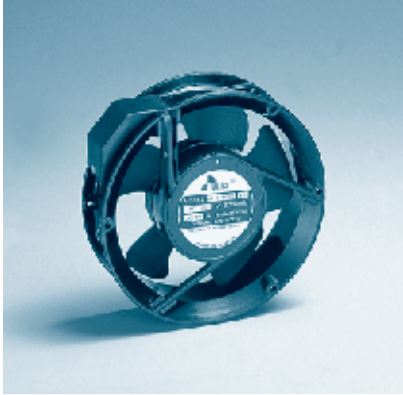


UF17P(C) Series

Size : 172 x 172 x 51
Unit : mm



Thermal Protection

Terminal or Lead Wire Type



| Spec. / Model | Rated Voltage V | Frequency Hz | Input Power W | Rated Current A | Locked Current A | Speed RPM | Maximum Air Flow m ³ /min. | Maximum Air Flow CFM | Maximum Pressure mmH ₂ O | Maximum Pressure InchH ₂ O | Noise dB | Weight kg |
|---------------|-----------------|--------------|---------------|-----------------|------------------|-----------|---------------------------------------|----------------------|-------------------------------------|---------------------------------------|----------|-----------|
| UF17PC10-H | 100V | 50 | 30 | 0.33 | 0.50 | 2850 | 5.8 | 205 | 16 | 0.63 | 50 | 0.9 |
| | | 60 | 30 | 0.29 | 0.52 | 3400 | 6.4 | 226 | 20 | 0.79 | 55 | |
| UF17PC11-H | 115V | 50 | 31 | 0.26 | 0.41 | 2850 | 5.8 | 205 | 16 | 0.63 | 50 | 0.9 |
| | | 60 | 31 | 0.25 | 0.43 | 3400 | 6.4 | 226 | 20 | 0.79 | 55 | |
| UF17PC20-H | 200V | 50 | 29 | 0.15 | 0.23 | 2850 | 5.8 | 205 | 16 | 0.63 | 50 | 0.9 |
| | | 60 | 29 | 0.14 | 0.25 | 3400 | 6.4 | 226 | 20 | 0.79 | 55 | |
| UF17PC23-H | 230V | 50 | 29 | 0.12 | 0.19 | 2850 | 5.8 | 205 | 16 | 0.63 | 50 | 0.9 |
| | | 60 | 29 | 0.12 | 0.19 | 3400 | 6.4 | 226 | 20 | 0.79 | 55 | |
| UF17PC11-L | 115V | 50 | 31 | 0.17 | 0.21 | 1400 | 2.5 | 88 | 3.8 | 0.15 | 31 | 0.9 |
| | | 60 | 31 | 0.15 | 0.20 | 1700 | 3.0 | 106 | 5.5 | 0.22 | 37 | |
| UF17PC23-L | 230V | 50 | 29 | 0.08 | 0.09 | 1400 | 2.5 | 88 | 3.8 | 0.15 | 31 | 0.9 |
| | | 60 | 29 | 0.07 | 0.09 | 1700 | 3.0 | 106 | 5.5 | 0.22 | 37 | |