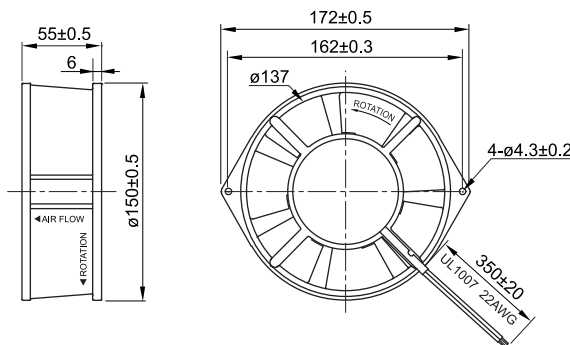


# UF15K(CR) Series

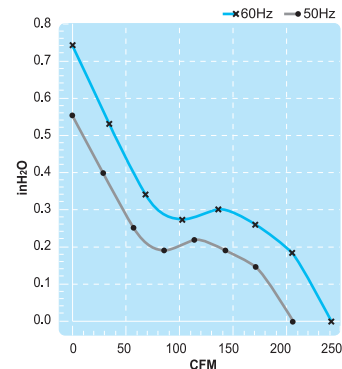
Size : 172 x 150 x 55  
Unit : mm



**Thermal Protection**



**Lead Wire Type**



Spec. Model	Rated Voltage V	Frequency Hz	Input Power W	Rated Current A	Locked Current A	Speed RPM	Maximum Air Flow m <sup>3</sup> /min.	Maximum Air Flow CFM	Maximum Pressure mmH <sub>2</sub> O	Maximum Pressure InchH <sub>2</sub> O	Noise dB	Weight kg
UF15KCR10-H	100V	50	28	0.32	0.72	2850	5.8	205	14.0	0.55	61	1.08
		60	32	0.33	0.72	3400	6.8	241	18.5	0.73	66	
UF15KCR11-H	115V	50	26	0.24	0.58	2850	5.8	205	14.0	0.55	61	1.08
		60	30	0.25	0.58	3400	6.8	241	18.5	0.73	66	
UF15KCR20-H	200V	50	28	0.15	0.35	2850	5.8	205	14.0	0.55	61	1.08
		60	32	0.16	0.35	3400	6.8	241	18.5	0.73	66	
UF15KCR23-H	230V	50	26	0.11	0.28	2850	5.8	205	14.0	0.55	61	1.08
		60	31	0.13	0.28	3400	6.8	241	18.5	0.73	66	