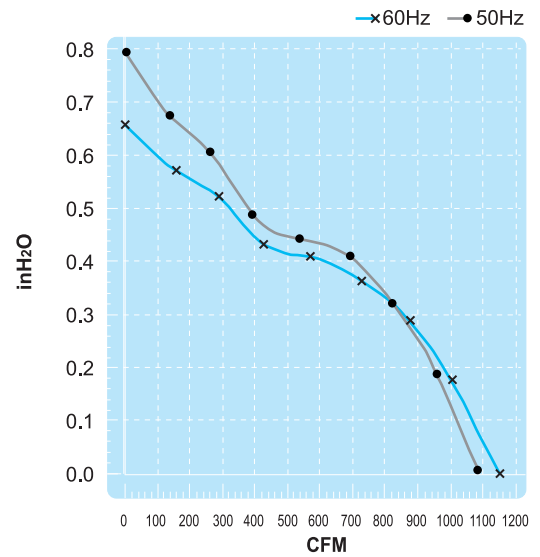
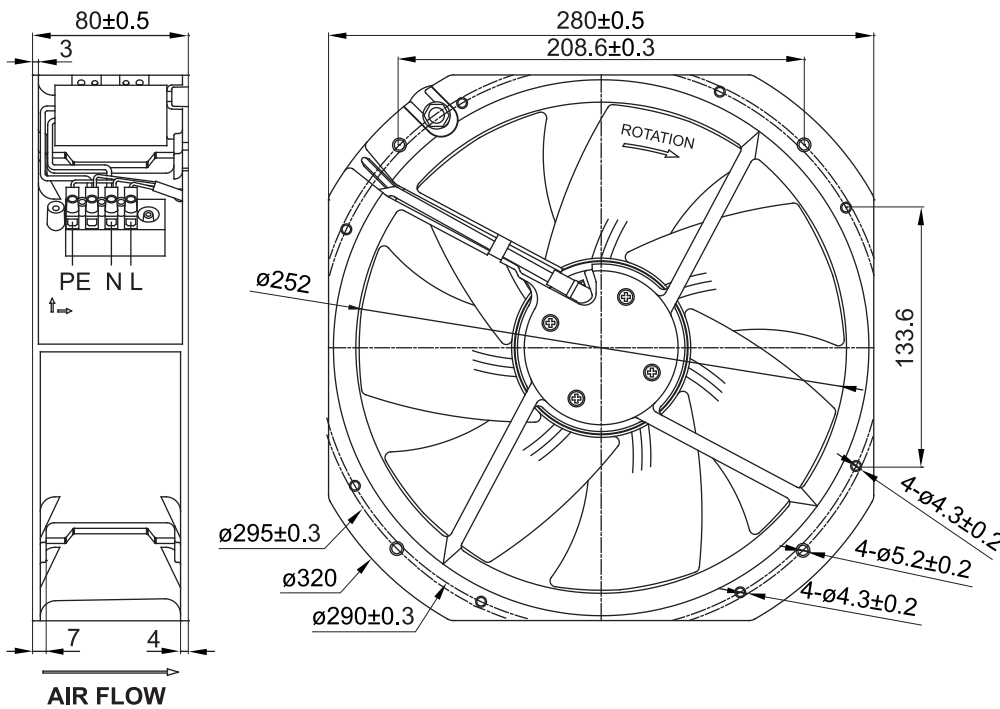


UF250BMB Series

(Axial Fan)



Thermal Protection



Spec.	Rated Voltage	Frequency	Input Power	Rated Current	Locked Current	Speed	Maximum Air Flow	Maximum Air Flow	Maximum Pressure	Maximum Pressure	Capacitor	Noise	Weight
Model	V	Hz	W	A	A	RPM	m ³ /min.	CFM	mmH ₂ O	InchH ₂ O	μF/VDB	dB	kg
UF250BMB11H1C2A	115V	50	112	1.00	1.90	2550	31	1090	16.5	0.65	12/250	68	2.8
		60	148	1.50	1.90	2700	32	1130	20.0	0.78		70	
UF250BMB23H1C2A	230V	50	119	0.59	0.91	2550	31	1090	16.5	0.65	4/450	68	2.8
		60	158	0.82	0.91	2700	32	1130	20.0	0.78		70	