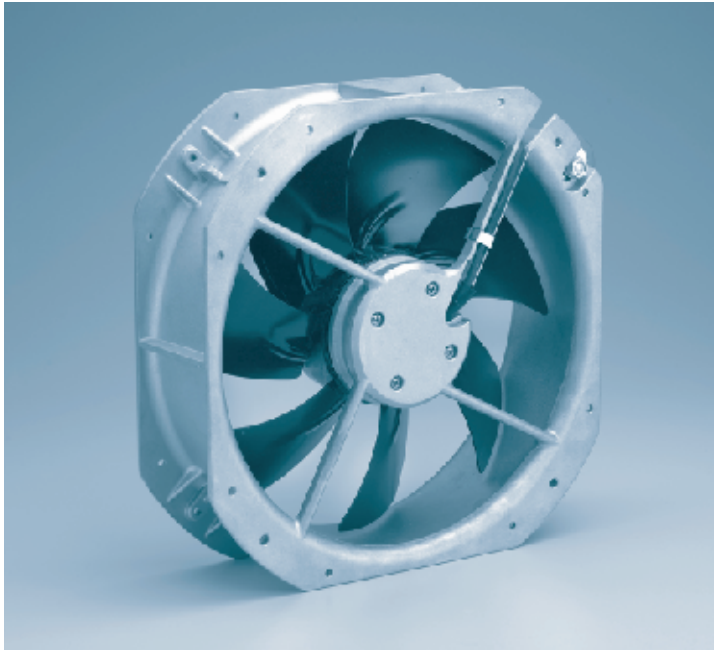
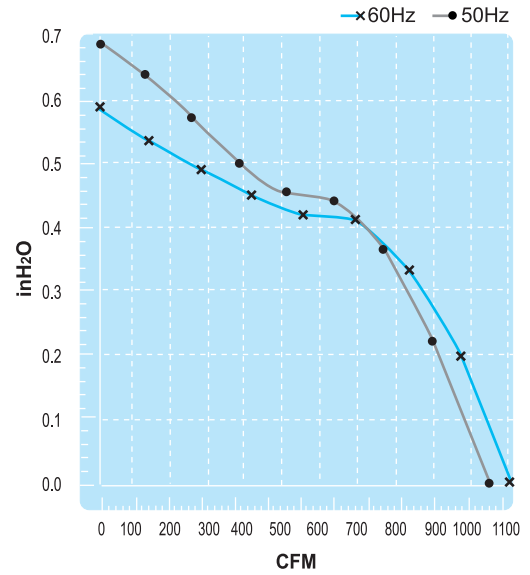


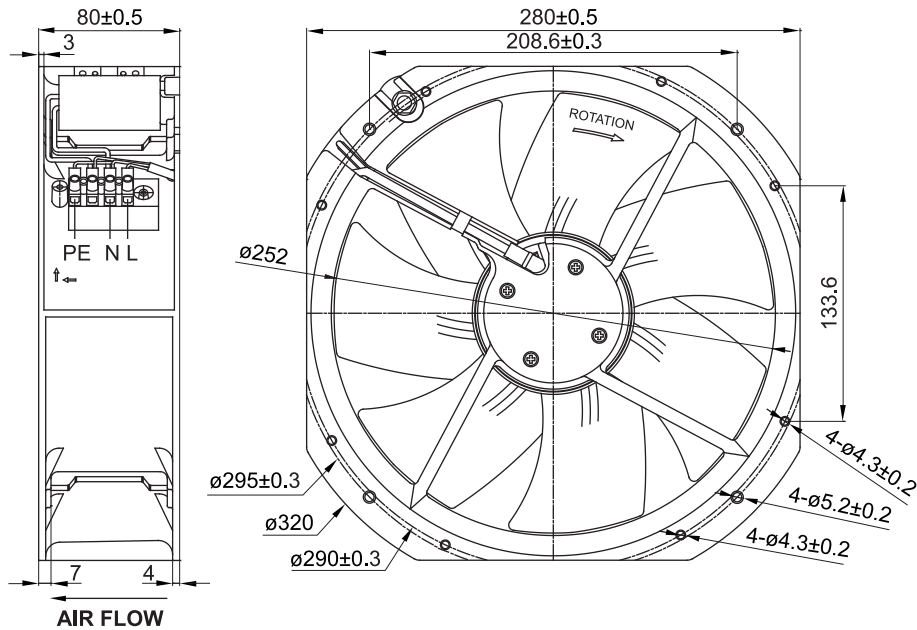
# UF250BMA Series



## (Axial Fan)



### Thermal Protection



Spec.	Rated Voltage	Frequency	Input Power	Rated Current	Locked Current	Speed	Maximum Air Flow	Maximum Air Flow	Maximum Pressure	Maximum Pressure	Capacitor	Noise	Weight
Model	V	Hz	W	A	A	RPM	m <sup>3</sup> /min.	CFM	mmH <sub>2</sub> O	InchH <sub>2</sub> O	μF/VDB	dB	kg
UF250BMA11H1C2A	115V	50	120	1.50	1.90	2400	29.8	1050	17.8	0.70	12/250	70	2.8
		60	157	1.20	1.90	2600	31.2	1100	15.0	0.59		71	
UF250BMA23H1C2A	230V	50	119	0.52	0.83	2400	29.8	1050	17.8	0.70	4/450	70	2.8
		60	158	0.71	0.87	2600	31.2	1100	15.0	0.59		71	